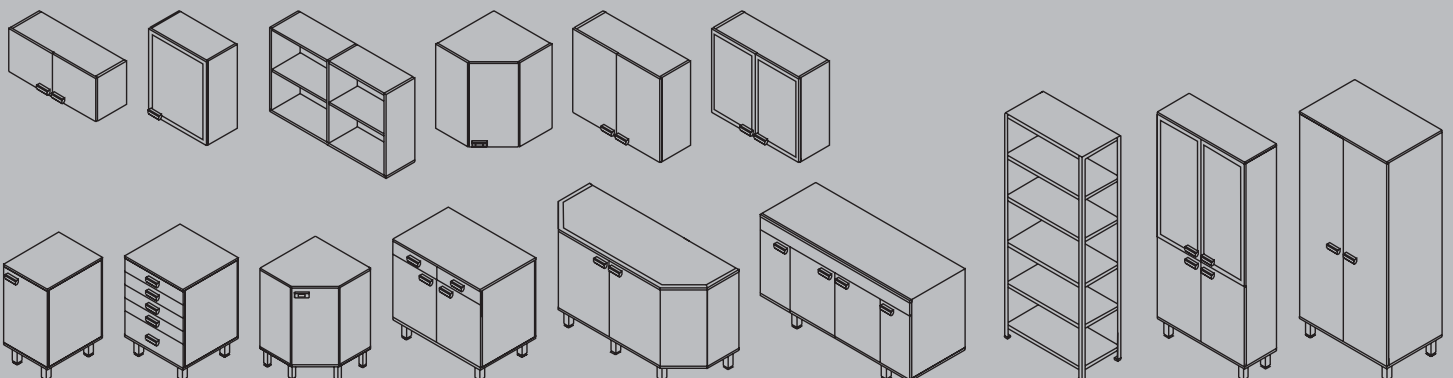


Laboratory cupboards



→ GENERAL PROPERTIES

- Moisture-proof melamine coated chipboard cupboards RAL 7047
- All edges protected with ABS tape 0,8mm, rear panel moisture-proof media pan with two-side melamine film coating
- Moisture-proof melamine coated chipboard or polycarbonate door in ABS frame
- Metal drawers with bearings
- PP legs RAL 7047 height 150 with leveling break
- ABS ergonomic handles with identification slot
- High load capacity and stability
- According to HRN D.E2.104. HRN D.E2.105



Laboratory cupboards

→ STANDARD CUPBOARD DIMENSIONS

	width	depth	high
fixed cupboards	450	570	720
	600		820
	900		
	1200		
mobile and sliding cupboards	450	570	615
	600		765
	900		
	1200		
high cupboards	600	330	1265
	900	570	1630
	1200		1995
wall mounted cupboards	600	330	380
	900		750
	1200		1115



PP RECEPTION HANDLE WITH IDENTIFICATION SLOT



PP CASTOR WITH BREAK



POLYCARBONATE IN ABS FRAME



PP LEGS
high load capacity, mechanical PH resistance, height adjustable

Grga & Melita

Croatia, 10 000 Zagreb, Sveti Duh 62

tel: +385 (1) 3745 510, 3906 616

mob: +385 (98) 355 274, 492 717

fax: +385 (1) 3906 615

e-mail: grga-melita@zg.t-com.hr

web: www.grga-melita.hr