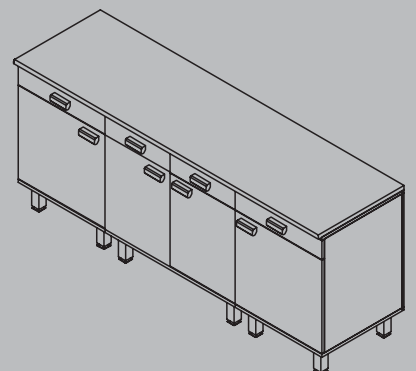
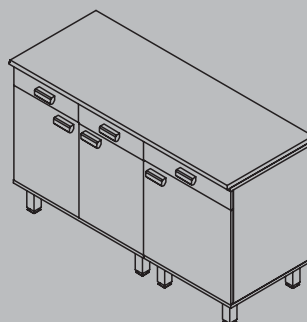
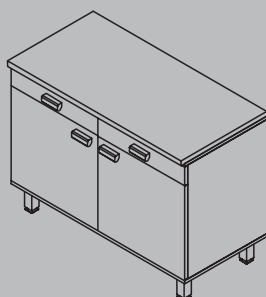


## Laboratory workbench with under bench units



### → GENERAL PROPERTIES

- Cupboard made of moisture-proof melamine coated chipboard RAL 7047
- All edges are protected by ABS tapes 0,8mm, rear panel moisture-proof media pan two-sided melamine film coated
- Moisture-proof melamine coated chipboard door
- Metal drawers with bearings
- PP legs RAL 7047 height 150 with leveling breaks
- ABS ergonomic handles with identification slot
- High load capacity and stability
- According to HRN D.E2.104. HRN D.E2.105.
- Worktops made of: technical ceramic material, epoxy, HPL, stainless steel, polypropylene or compact, according to laboratory use
- Under bench units can be cupboards, drawer units or combination



## Laboratory workbench with under bench units

### → STANDARDNE DIMENZIJE STOLOVA

|              | SEDENTARY WORK | STANDING WORK |
|--------------|----------------|---------------|
| <b>high</b>  | 750            | 900           |
| <b>depth</b> | 600            | 600           |
|              | 750            | 750           |
| <b>width</b> | 900            | 900           |
|              | 1200           | 1200          |
|              | 1500           | 1500          |
|              | 1800           | 1800          |
|              | 2100           | 2100          |
|              | 2400           | 2400          |
|              | 2700           | 2700          |
|              | 3000           | 3000          |
|              | 3300           | 3300          |
|              | 3600           | 3600          |



#### PP LEGS

high load capacity, mechanical PH resistance, height adjustable

### → STANDARD WORKTOPS



#### TECHNICAL CERAMIC MATERIAL

High mechanical and chemical resistance, fireproof.



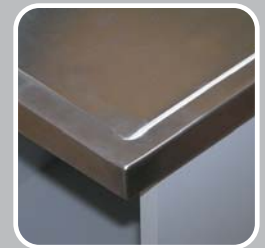
#### POLYPROPYLENE

High chemical resistance.



#### EPOXY

High chemical resistance. Possibility of junctions with no transition (for microbiology).



#### STAINLESS STEEL

Worktops for demanding mechanical and moisture conditions (wash-rooms).



#### COMPACT

High mechanical strength and resistance to high temperatures. Good chemical resistance



#### HPL

Good chemical resistance and economical performance.

### Grga & Melita

Croatia, 10 000 Zagreb, Sveti Duh 62

tel: +385 (1) 3745 510, 3906 616

mob: +385 (98) 355 274, 492 717

fax: +385 (1) 3906 615

e-mail: [grga-melita@zg.t-com.hr](mailto:grga-melita@zg.t-com.hr)

web: [www.grga-melita.hr](http://www.grga-melita.hr)